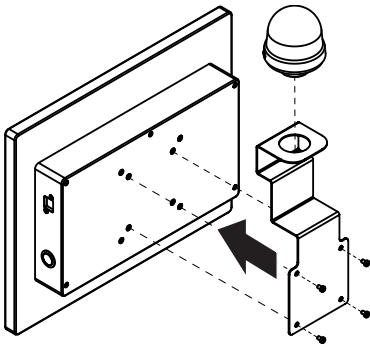


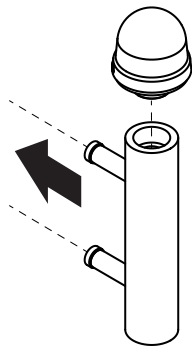
Multicolor LED signal lamp Type 9023A



The multicolor LED signal lamp type 9023A is directly controlled by the PRIAMUS® systems. It can be connected to the BlueLine Core type 8280C or the QScreen™ type 8281A.



With the fixture type 9024A (accessory) the LED signal lamp can directly be mounted on the BlueLine Core type 8280C.



With the magnetic fixture type 9024A (accessory) the LED signal lamp can be mounted magnetically at any specific location on the machine.



The LED signal lamp is controlled via a serial interface via USB connection and can display more than 200,000 colours (RGB LEDs) and lighting effects.

Technical data

	Specification
Inrush current	max. 500 mA
Lifespan	max. 50 000 h
Voltage range	5 V +/- 10%
Connection	USB
Protection class	IP65 in mounted condition
Temperature	-20 °C ... +50 °C
Ambient conditions	Contact area up to impurity grade 2
Hardware requirements	Core type 8280C or QScreen™ type 8281A
System requirements	FillControl SW1.18 or higher

Scope of delivery: Multicolor LED signal lamp with USB connection, incl. USB cable (1 m)

Accessories: Fixture type 9024A for mounting to BlueLine Core Typ 8280C
 Magnetic Fixture type 9025A for mounting individually to the machine

Notice

If you are using 9023A in combination with Core 8280B or other software on any later version than Windows 7, the driver must be installed manually on your PC. Information about installing the driver manually on your PC can be found in the document „Technical Information - Werma LED DriverInstallation“ on our homepage www.priamus.com. The document can be found under:

↳ [Services / Downloads / Info and Forms / Info](#)